

Louver-Tech 1" Vinyl Mini Blinds

Specifications:

Headrail:

Extruded PVC 1.135" width x .935" height x .070" thick for widths up to 68". At 69" and wider the headrail measures 1.500" width x 1.500" height x .070" thick.

Bottomrail:

Extruded hollow PVC 1.035" width x .450" height x .055" thick.

Wand:

Extruded PVC Hex shape, .315" across flats. Color coordinated.

Slat:

Extruded PVC .0165" thick x .970" width with crown of .160". 75% opacity. Flammability testing passed NFPA 701 small scale test.

Tape Roller Support:

Injection molded plastic with metal roller minimizing cord fray.

Tape Roller:

Injection molded plastic with ladder locking legs.

Tilt Rod:

Plated steel, "0" shape .150" x .125"

Cordlock:

Injection molded plastic. Smooth brass fixed roller. Knurled floating brass roller.

Tilter:

Injection molded plastic housing with steel wand hook. Gear ratio of 9 to 1. Metal rivet for added strength.

Bottomrail Anchors:

Injection molded plastic face .500" diameter, stem .375" diameter.

Bottomrail Endcaps:

Injection molded plastic.

Slat Clip:

Painted aluminum.

Cord:

Woven polyester .070" diameter.

Ladder:

Woven polyester .840" spacing x 1.000" width.

Center Support:

Plated steel .040" thick.

Hold Down Brackets:

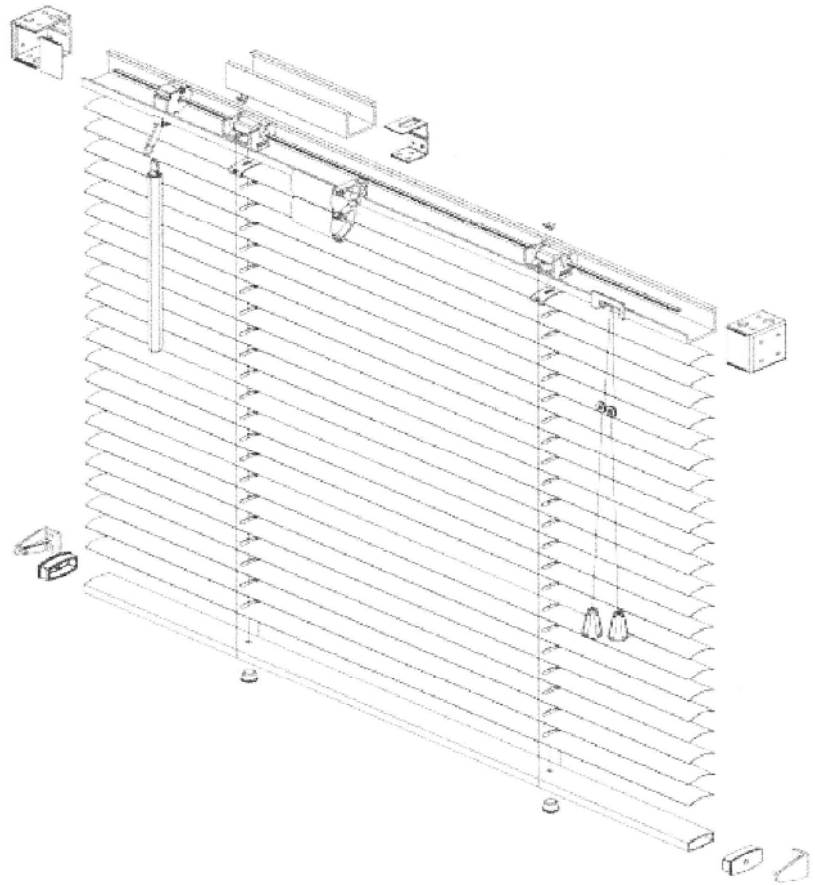
Injection molded plastic.

Tassel:

Injection molded plastic - bell shaped.

Mounting Bracket:

Color coordinated injection molded plastic. Suitable for inside or outside mount.



Baron's Window Coverings

325 S. Washington Ave.
Lansing, MI 48933

Phone: 800-248-5852

Fax: 517-484-5611

www.baronsblinds.com