

Louver-Tech 2" Faux Wood Blinds

Specifications

Headrail: Sturdy roll formed metal, 2.264" width x 2.019" height x .002" thick.

Bottomrail: Sturdy extruded PVC solid trapezoid of downward flat 2.26" x .787" height

Slat: Plain finish Faux wood .114" thick x 1.969" width.

Valance: Plain finish Faux wood crown valance .570" thick x 3.25" width.

Tape Roller Support: Injection molded plastic with metal roller minimizing cord fray.

Tape Roller: Injection molded plastic with ladder locking legs.

Tilt Rod: Plated steel square shape .248" x .248".

Cordlock: Zinc plated metal cordlock, metal rivet for added strength.

Tilter: Zinc plated metal housing with injection molded plastic wheel.

Bottomrail Anchors: Injection molded plastic.

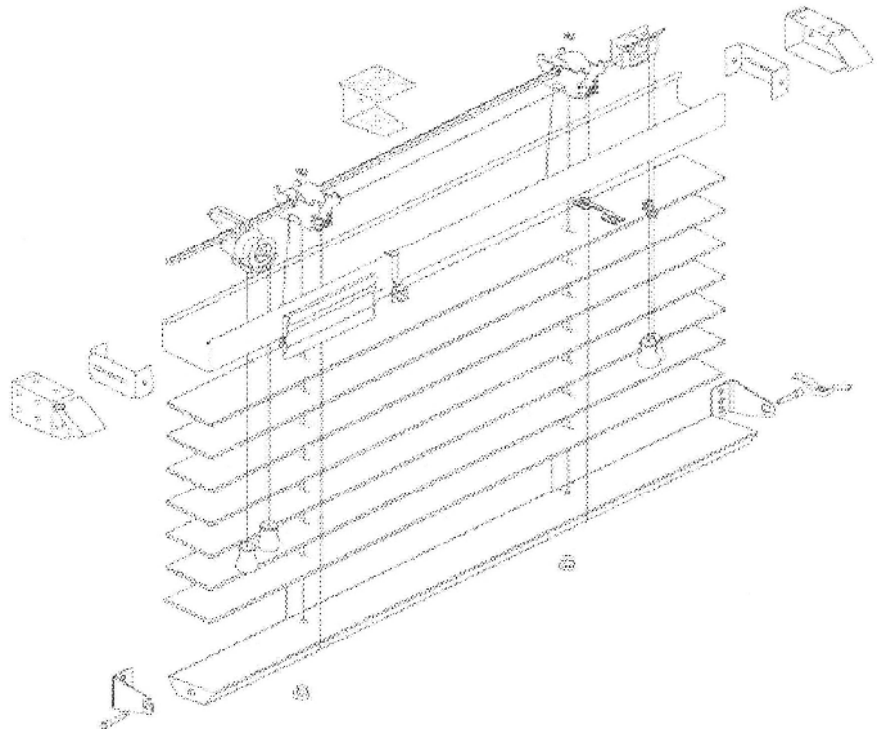
Cord: Braided polyester .063" diameter.

Ladder: Braided polyester 2.126" spacing x 1.772" height.

Center Support: Plated steel.

Tassel: Injection molded plastic.

Mounting Bracket: Painted steel with hinged locking front cover.



Baron's Window Coverings

325 S. Washington Ave.
Lansing, MI 48933

Phone: 800-248-5852

Fax: 517-484-5611

www.baronsblinds.com